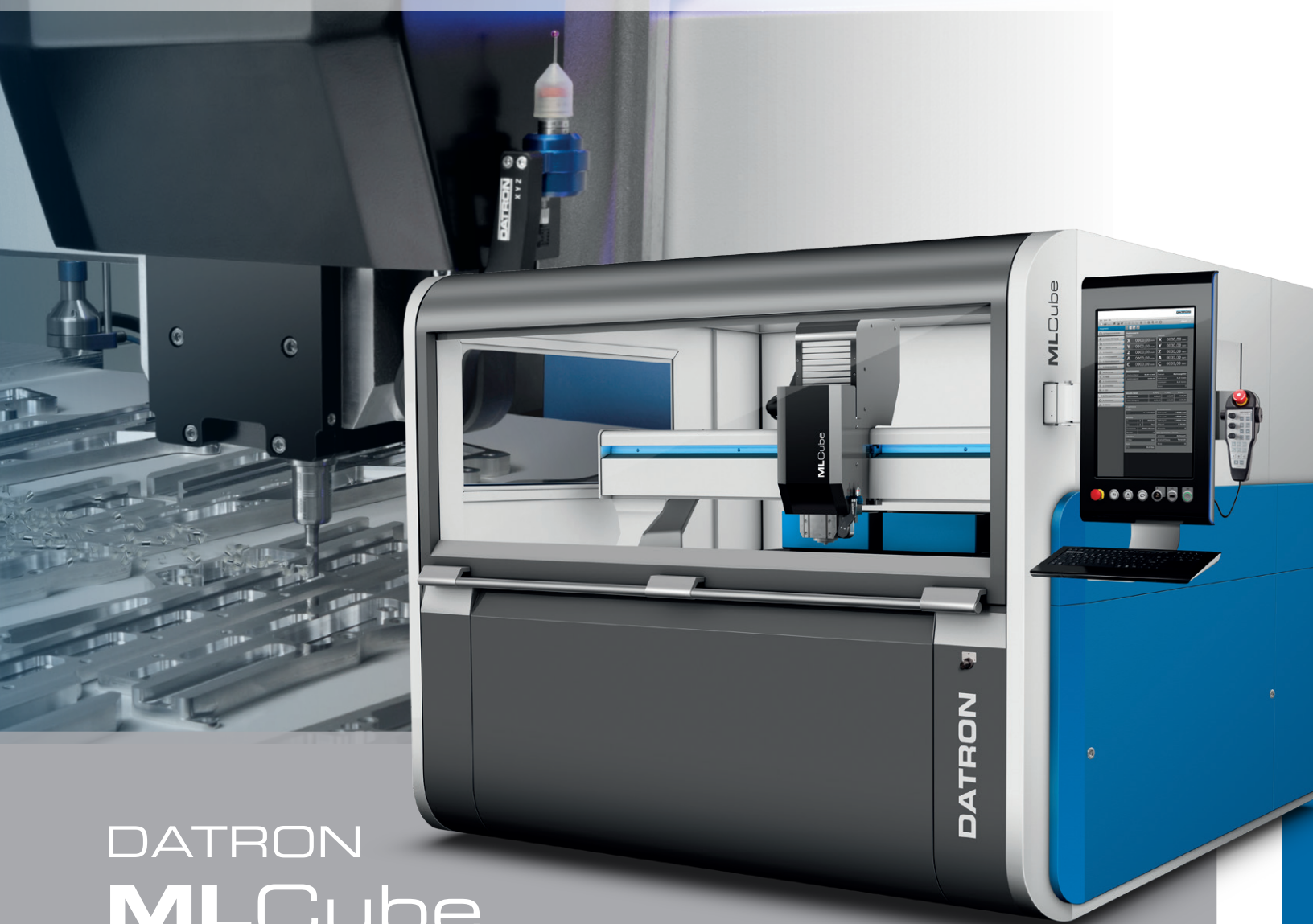


**DATRON**



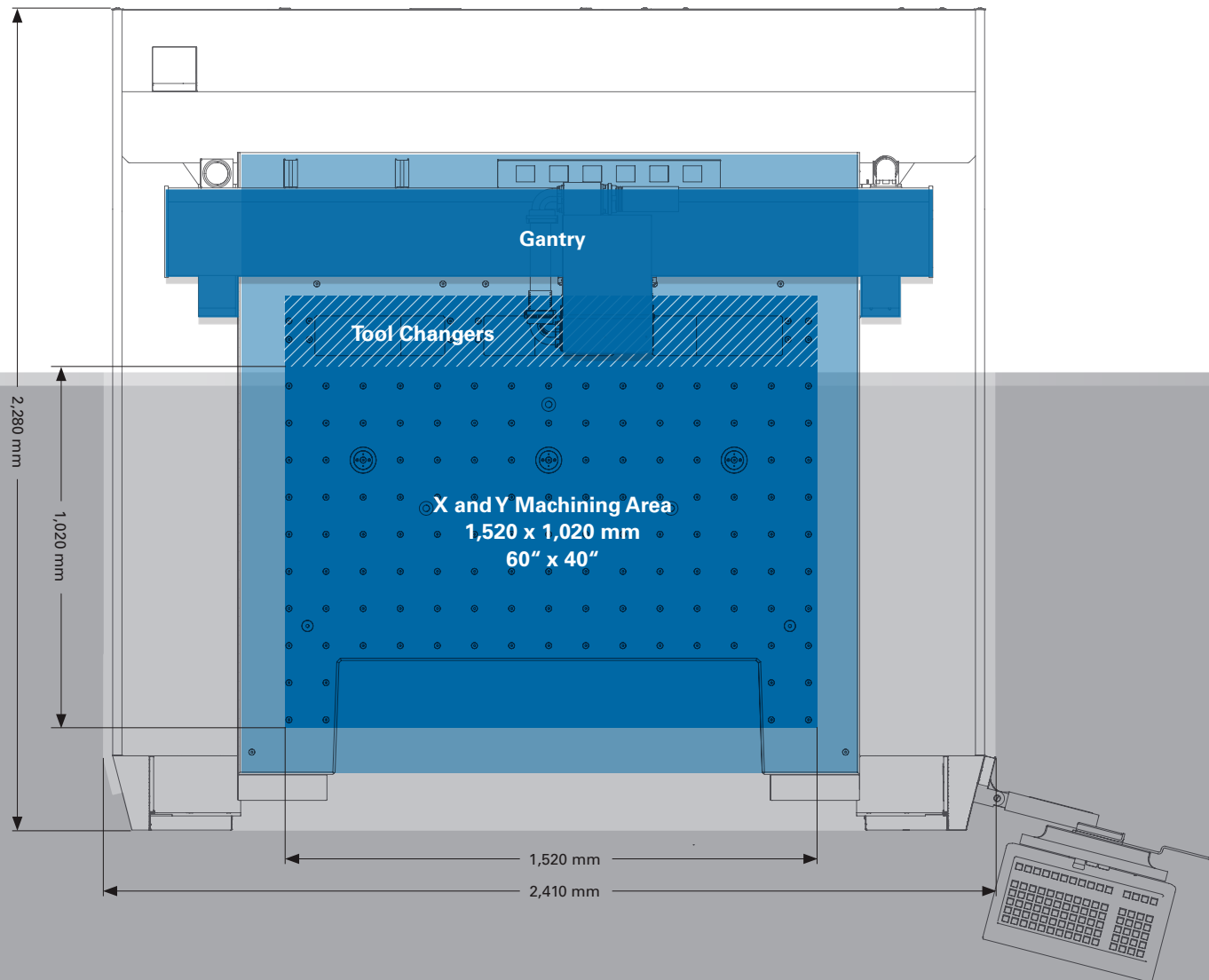
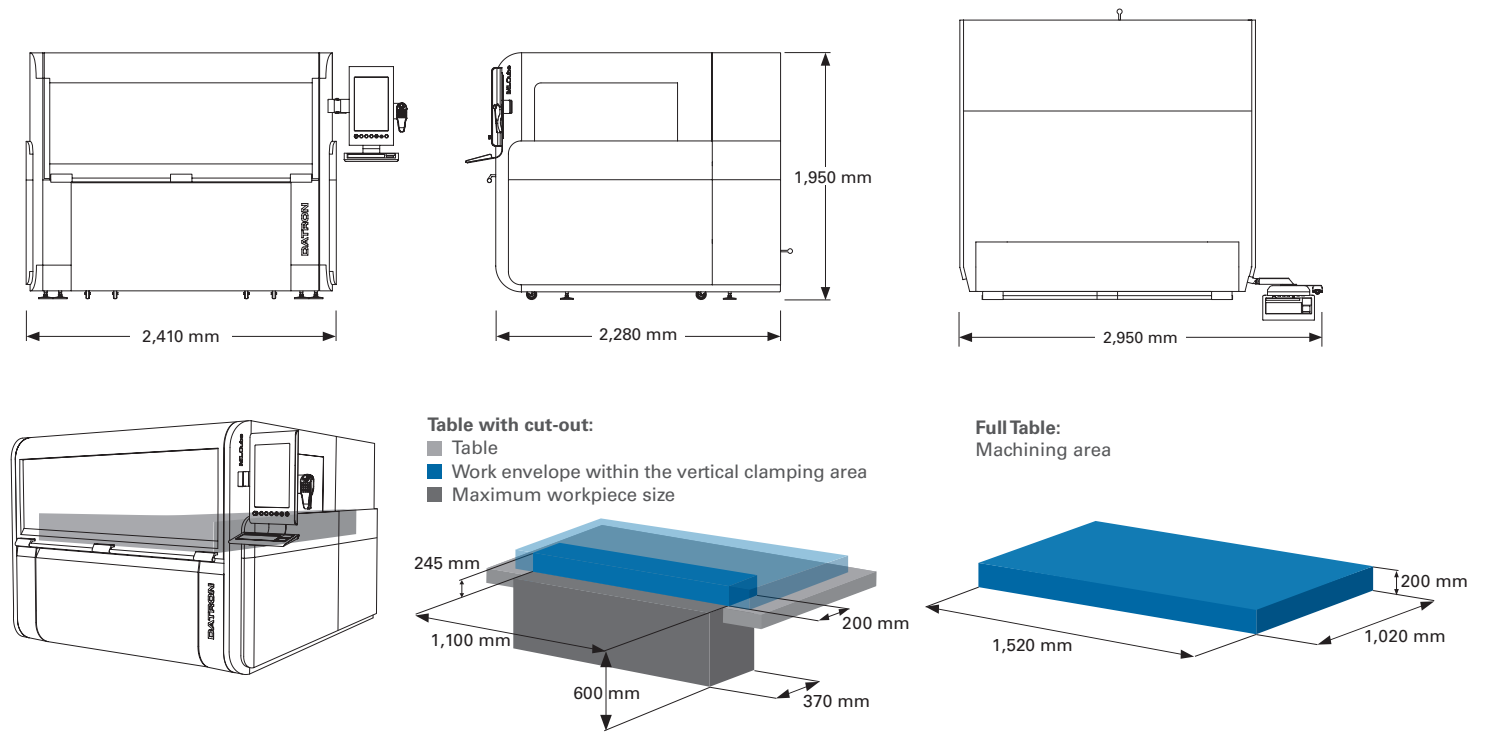
# DATRON MLCube

Milling, drilling and engraving  
Large format – fast – dynamic

# MLCube Highlights

Small footprint. Large work area.  
Huge return on investment!

- **Large work area** ideal for milling long aluminum extrusions, sheet material, large parts or batch machining (nesting) many smaller parts
- **Dynamic speed** resulting from an optimized control software combined with mechanical construction designed for acceleration and rigidity
- **Extreme precision** due to high-quality linear guides, ball screws, brushless direct drives and precision-crafted structural elements
- **Ultimate Flexibility** with integrated workholding including vacuum tables, pneumatic clamping and rotary axes – all for quick job set up and change over
- **Up to 60,000 rpm spindles** from 0.6 kW to 3.0 kW offer a range of solutions to meet your specific needs
- **Stiff, vibration-free design** of the machine allows for excellent surface finishes when machining



Extremely large work area with a much smaller footprint than conventional vertical machining centers.

Technical Data	DATRON MLCube	
Machine table	Solid polymer concrete table with steel frame, extremely stiff portal structure with double-sided Y drive with concealed guides	
Machining area (X x Y x Z)	1,520 mm x 1,020 mm x 245 mm; includes allowance for tool changer in Y	
Gantry passage	200 mm	
Dimensions (without PC workstation) (W x D x H)	2,410 mm x 2,280 mm x 1,950 mm 95" x 90" x 77"	
Taper chuck integrated into the table	✓	
Fast digital servo control with Microsoft® Windows® control computer	✓	
Comfortable hand-held control unit	✓	
Drive system: Brushless servo motors with absolute encoders, ball screw spindle for each axis	✓	
Minimal quantity lubrication	✓	
Machining spindle	Precision high-frequency spindles from 0.6 kW to 3.0 kW and up to 60,000 rpm	
Tool changer with integrated tool-length sensor	5 to 36 tool stations with HSK tool holders 15 to 45 tool stations with direct shank tool holders	
Feeds	Up to 866"/min	
Positioning feeds	Up to 866"/min	
Weight	Approx. 5,512 lbs.	
Part Number	0A03300A (with cut-out section)	0A03300B

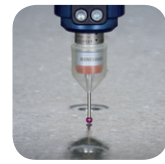
## Features and Benefits:



**Status display** with signal LEDs integrated into the operating terminal and the gantry to display machine status.



**Precision spindle** with a concentricity better than 2 µm and HSK-E 25 tool insert for < 3µm runout.



**XYZ measuring system:** Surface mapping, part referencing and automatic compensation for irregular surfaces.



**Resource-saving:** Minimum quantity coolant system starting at 30 ml/h. Minimal cleaning required after milling.



**Precision ball screws** and linear guides from leading vendors. Brushless direct drives in X and Y axes.



**Tool changer** with up to 45 tool stations provides the flexibility to adapt to a wide range of projects on-the-fly.





The information in this brochure contains current descriptions or performance features which are subject to change due to further development of the products. The descriptions and performance features are binding only if they are expressly agreed in writing at the time of conclusion of the contract.

DATRON Dynamics, Inc.  
115 Emerson Road  
Milford, NH 03055

DATRON Dynamics West  
6250 Preston Avenue  
Livermore, CA 94551

Phone: 888.262.2833  
[www.datron.com](http://www.datron.com)